

Data Sheet

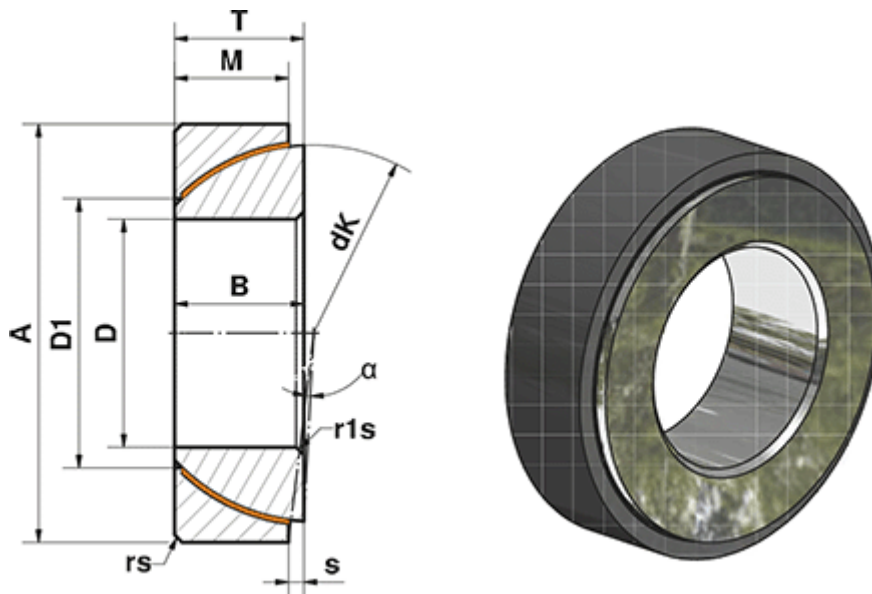


Article number: 03449028

Description: Fluro Heavy Duty Spherical Plain Bearing GE 28 SWE
Hole \varnothing 28

Note: 28

Measures



A	= 52	rs, r1s min	= 1
a (degrees)	= 2	S	= 1
B	= 15	Static load C0 (kN)	= 287
D	= 28	T	= 16
D1	= 35.8	Weight (g)	= 186
dK	= 47		
Dynamic load C (kN)	= 171		
M	= 15		